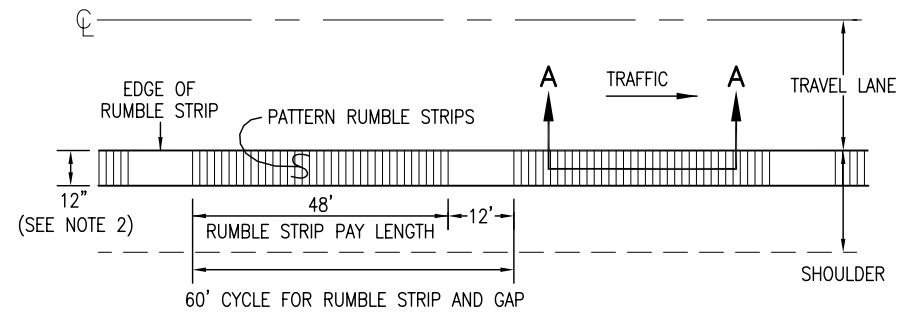
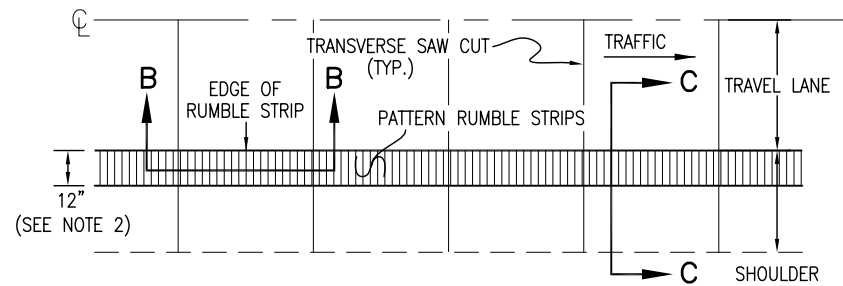


GENERAL NOTES

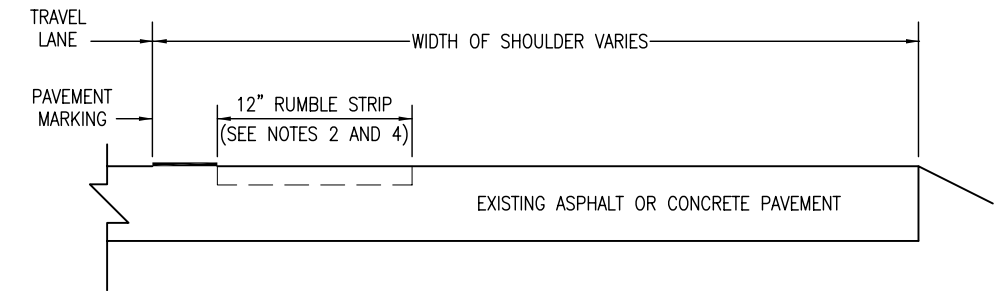
1. RUMBLE STRIPS SHALL BE OMITTED AT TURN AND AUXILIARY LANES, ROAD APPROACHES, RESIDENCES, 250 FT. BEFORE ROAD INTERSECTIONS, AND OTHER INTERRUPTIONS AS DIRECTED BY THE ENGINEER.
2. RUMBLE STRIPS MAY BE INSTALLED BY GRINDING, ROLLING, OR FORMING ON CONCRETE PAVEMENT, AND BY GRINDING ONLY ON HMA PAVEMENT. RUMBLE STRIP WIDTH SHALL BE 12 IN. FOR GRIND-IN AND 18 IN. FOR FORMED OR ROLLED.
3. MINIMIZE THE DISTANCE BETWEEN RUMBLE STRIP AND EDGE LINE ON CONCRETE PAVEMENTS WITH 14 FT. WIDE SLABS.
4. BEGIN RUMBLE STRIPS ON THE OUTSIDE EDGE OF THE TRAVEL LANE EDGE LINE.
5. DO NOT INSTALL RUMBLE STRIPS ON SHOULDERS LESS THAN 6 FT. WIDE WHEN GUARDRAIL IS PLACED ALONG THE EDGE OF THE SHOULDER.
6. APPLY THE 60 FT. GAP PATTERN WHEN RUMBLE STRIPS (GRIND-IN) ARE INSTALLED IN CONCRETE PAVEMENT.



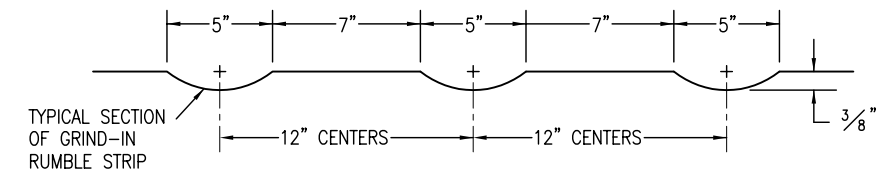
**INTERMITTENT RUMBLE STRIP
TWO-LANE ROADWAY (HMA)**



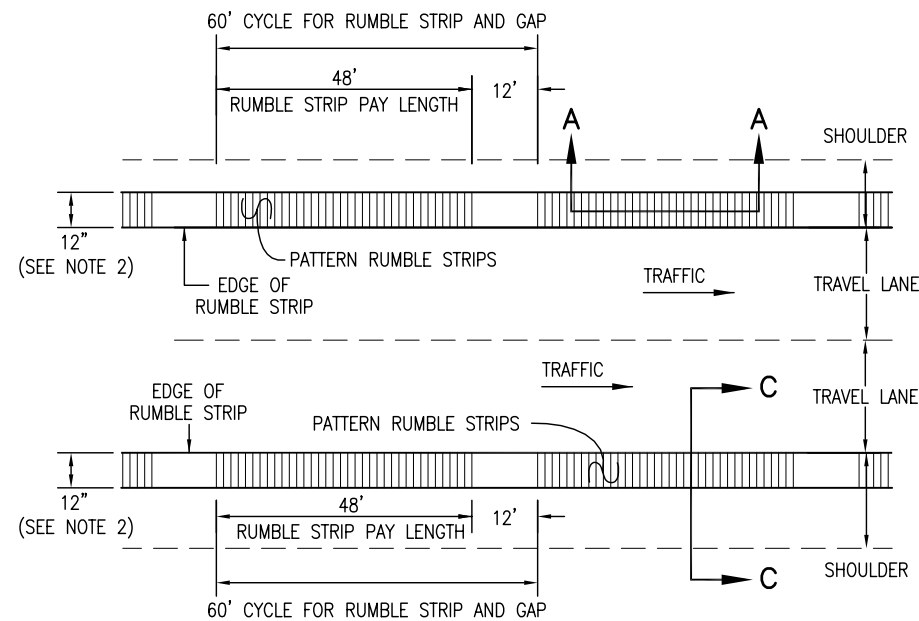
**CONTINUOUS RUMBLE STRIP
TWO-LANE ROADWAY (CONCRETE)**



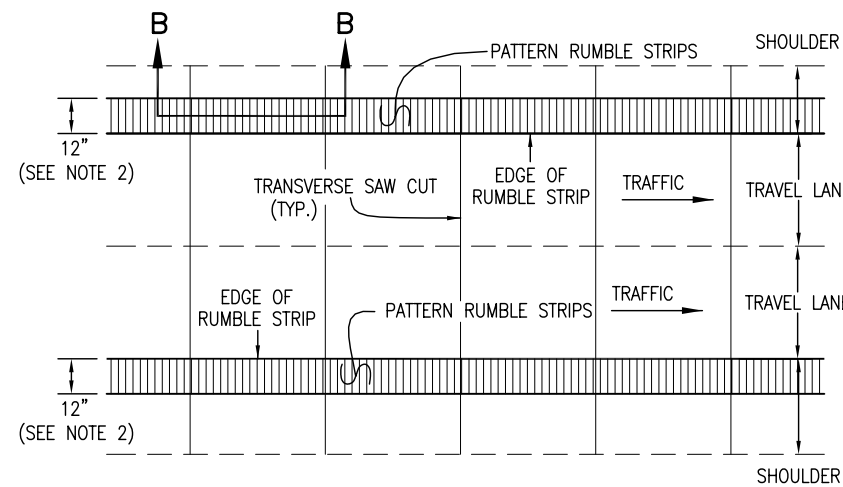
TYPICAL SECTION C-C



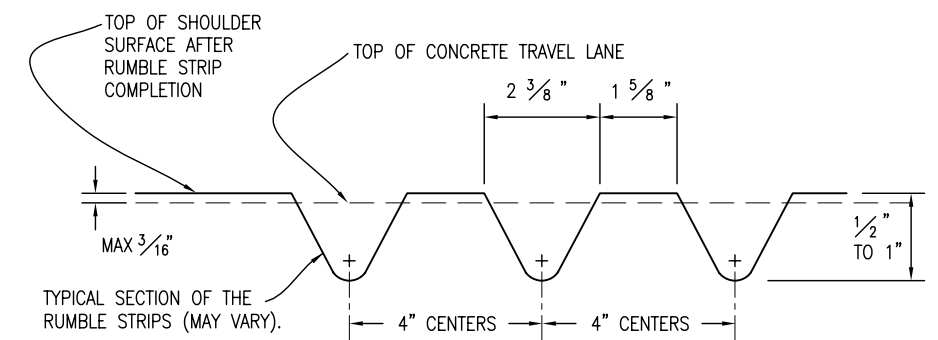
**TYPICAL SECTIONS A-A AND B-B
FOR GRIND-IN RUMBLE STRIP
ON EXISTING HMA OR CONCRETE PAVEMENT**



**INTERMITTENT RUMBLE STRIP
FOUR-LANE DIVIDED ROADWAY (HMA)**



**CONTINUOUS RUMBLE STRIP
FOUR-LANE DIVIDED ROADWAY (CONCRETE)**



**TYPICAL SECTION B-B
FOR FORMED OR ROLLED ON CONCRETE PAVEMENTS ONLY**

Computer File Information		Sheet Revisions		Colorado Department of Transportation		RUMBLE STRIPS		STANDARD PLAN NO.	
Creation Date: 07/04/06	Initials: SJR	<input type="checkbox"/> (R-X) <input type="checkbox"/> (R-X) <input type="checkbox"/> (R-X) <input type="checkbox"/> (R-X)	Date:	Comments:	4201 East Arkansas Avenue Denver, Colorado 80222 Phone: (303) 757-9083 Fax: (303) 757-9820	M-614-1		Sheet No. 1 of 3	
Last Modification Date: 07/04/06	Initials: LTA								
Full Path: www.dot.state.co.us/DesignSupport/									
Drawing File Name: 614010103.dwg							Project Development Branch SRJ/LTA		Issued By: Project Development Branch on July 04, 2006
CAD Ver.: MicroStation V8 Scale: Not to Scale Units: English									